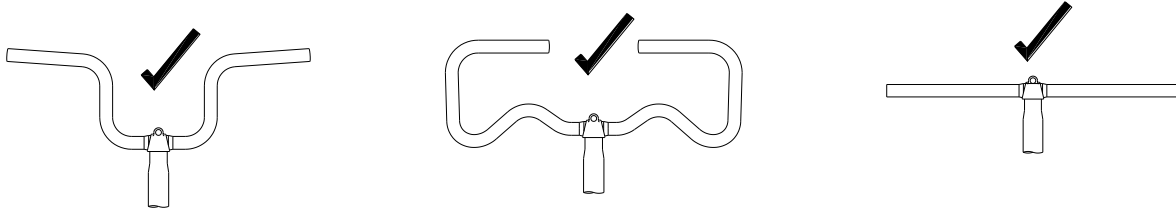


Jan-12 O Bag ds

O Bag

This luggage item is suitable for use with *any* Brompton model-type.



If you have an S Type bike (straight handlebar model) it is possible in certain circumstances to fill the bag in such a way that it makes contact with the brake levers. This may prevent the bars from turning, which is unsafe.

When using the bag with an S Type bike ensure before riding that the bag is loaded such that the handlebars turn freely.



Stowing the shoulder strap

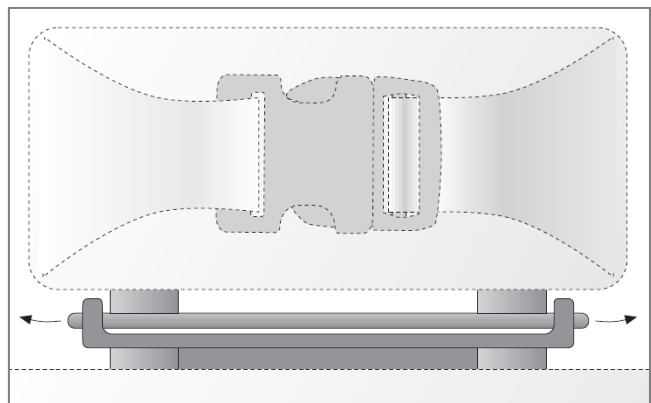
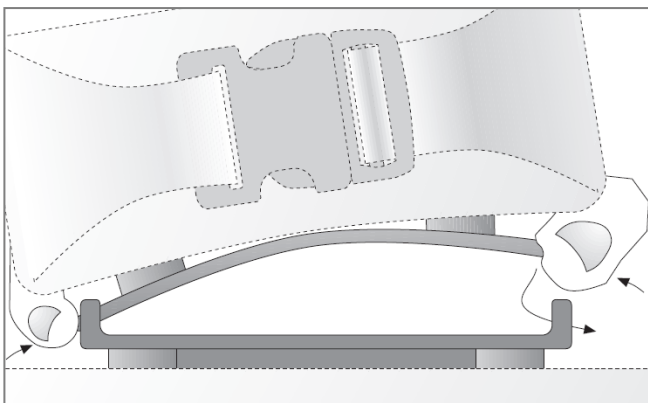
The O Bag comes with a clip-on shoulder strap. This should be unclipped and stored inside the bag when fitted to the bike so there is no risk of loose material snagging.

For safe use it is essential that the strap is removed when the bag is fitted to the bike.



Fitting the rear pouches

The O Bag comes supplied with two waterproof roll top pouches. To fit these to the bag insert one end of one of the horizontal plastic bars into the slot in the end of the corresponding bracket on the bag. Bend the bar and slot the other end into the other slot on the bracket. (fig OBAG1). Repeat for the other bars.



To remove a pouch pull the middle of each plastic bar away from the bracket and it will pop off.

One of the bags is fitted with a couple of loops. The shoulder strap can be attached to these to make a small wearable bag.